



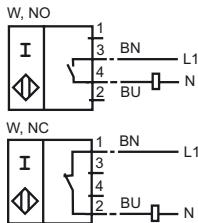
Model Number

NJ40+U1+W

Features

- Comfort series
- 40 mm not embeddable

Connection



Accessories

V1-M20-80

Receptacles

V1-W

Non pre-wired cable socket

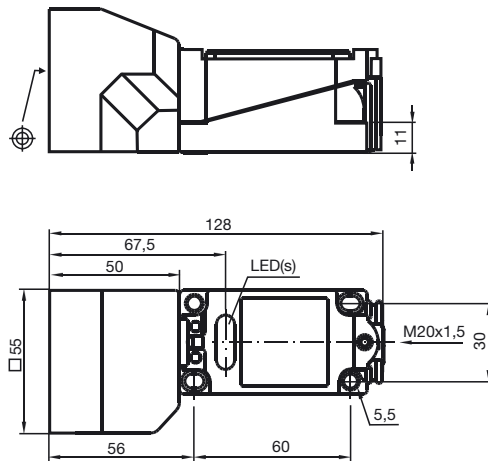
MHW 01

Mounting aid

V1-G

Non pre-wired cable socket

Dimensions



Technical Data

General specifications

Switching element function		ACMake/Break function
Rated operating distance	s_n	40 mm
Installation		not embeddable
Output polarity		AC
Assured operating distance	s_a	0 ... 32.4 mm
Reduction factor r_{Al}		0.5
Reduction factor r_{Cu}		0.45
Reduction factor r_{V2A}		0.8

Nominal ratings

Operating voltage	U_B	20 ... 253 V ¹⁾
Switching frequency	f	0 ... 20 Hz
Hysteresis	H	1 ... 10 typ. 5 %
Voltage drop	U_d	≤ 5 V
Momentary current (20 ms, 0.1 Hz)		0 ... 3000 mA
Operating current	I_L	8 ... 500 mA
Off-state current	I_r	0.5 ... 1.95 mA typ. 1.2 mA
Operating voltage display		LED, green
Indication of the switching state		LED, yellow

Ambient conditions

Ambient temperature	-25 ... 70 °C (248 ... 343 K)
Storage temperature	-25 ... 85 °C (248 ... 358 K)

Mechanical specifications

Connection type	terminal compartment
Core cross-section	up to 2.5 mm ²
Housing material	PBT
Sensing face	PBT
Protection degree	IP68
Note	¹⁾ In the temperature range below 0 °C, permissible operating voltage U_b 80...253 V Safety fuse ≤ 2 A (quick-blow) according to IEC 60127-2 Sheet 1 Recommendation: after a short circuit, check that the device is functioning correctly.

Compliance with standards and directives

Standard conformity	
Standards	EN 60947-5-2:2007 IEC 60947-5-2:2007

Approvals and certificates

CCC approval	Certified by China Compulsory Certification (CCC)
--------------	---