



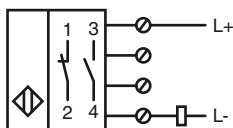
**Model Number**

**NBN40-U1-Z2**

**Features**

- 40 mm not embeddable
- 2-wire DC
- 2 LEDs indicator for 360° visibility

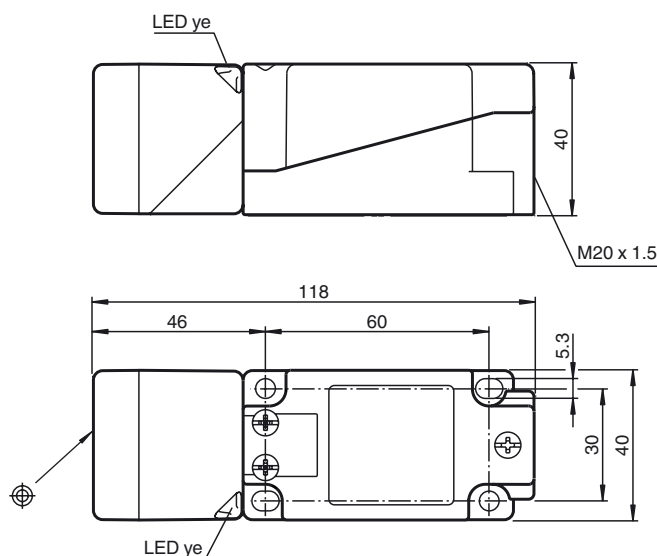
**Connection**



**Accessories**

- V1-M20-80**  
Receptacles, M12/M20; plastic version
- MHW 01**  
Modular mounting bracket
- MH 04-2681F**  
Mounting aid for VariKont, +U1+ and +U9\*

**Dimensions**



**Technical Data**

General specifications		
Switching element function	DC	NO/NC
Rated operating distance	$s_n$	40 mm
Installation		not embeddable
Output polarity		DC
Assured operating distance	$s_a$	0 ... 32.4 mm
Reduction factor $r_{Al}$		0.3
Reduction factor $r_{Cu}$		0.3
Reduction factor $r_{303}$		0.7
Nominal ratings		
Operating voltage	$U_B$	5 ... 60 V DC
Switching frequency	$f$	0 ... 100 Hz
Hysteresis	$H$	typ. 5 %
Reverse polarity protected		tolerant
Short-circuit protection		yes
Voltage drop	$U_d$	≤ 5 V
Operating current	$I_L$	2 ... 200 mA
Off-state current	$I_r$	0 ... 0.5 mA
Indication of the switching state		2 LED, yellow
Functional safety related parameters		
MTTF <sub>d</sub>		1170 a
Mission Time (T <sub>M</sub> )		20 a
Diagnostic Coverage (DC)		0 %
Ambient conditions		
Ambient temperature		-25 ... 85 °C (-13 ... 185 °F)
Mechanical specifications		
Connection type		screw terminals
Core cross-section		≤ 2.5 mm <sup>2</sup>
Housing material		PA/metal with epoxy powder coating
Sensing face		PA
Housing base		plastic
Protection degree		IP68 / IP69K
Mass		225 g
Note		Tightening torque: 1.8 Nm (housing) Tightening torque: 1.0 Nm (Screw terminal)
Compliance with standards and directives		
Standard conformity		
Standards		EN 60947-5-2:2007 IEC 60947-5-2:2007
Approvals and certificates		
UL approval		cULus Listed, General Purpose
CSA approval		cCSAus Listed, General Purpose
CCC approval		Certified by China Compulsory Certification (CCC)

Release date: 2011-08-16 13:48 Date of issue: 2011-08-16 203096\_eng.xml