



**Model Number**

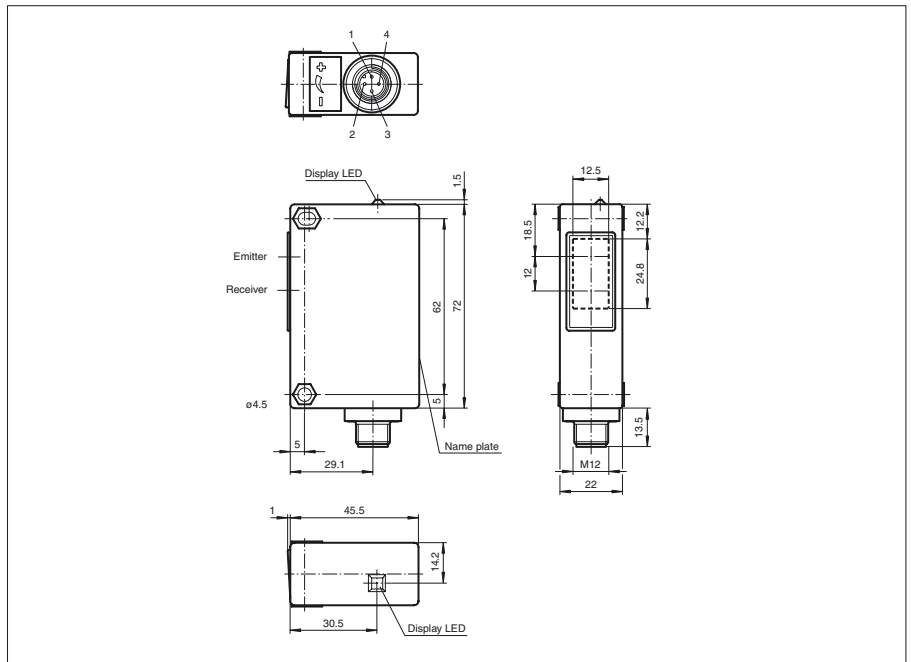
**RL32-54/47/73c**

Retroreflective sensor with polarization filter  
with 4-pin, M12 x 1 plastic connector

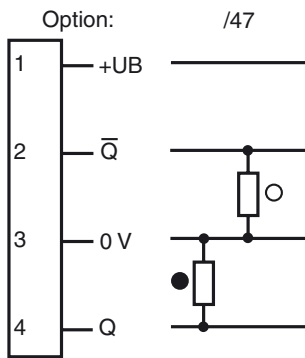
**Features**

- Glare protected with polarization filter
- Excellent optical performance data
- Scratch-resistant and solvent resistant glass lens
- Sleek design, especially for storage and conveyor systems

**Dimensions**



**Electrical connection**



○ = Light on  
● = Dark on

Release date: 2008-05-20 08:48 Date of issue: 2011-01-26 419004\_ENG.xml

**Technical data****General specifications**

Effective detection range	0.1 ... 4 m
Reflector distance	0.1 ... 4 m
Threshold detection range	8 m (with H85 reflector)
Light source	LED
Light type	modulated visible red light
Approvals	CE
Diameter of the light spot	approx. 200 mm at 4000 mm detection range
Angle of divergence	approx. 3 °
Ambient light limit	80000 Lux

**Indicators/operating means**

Function display	LED yellow, lights up when light beam is free, flashes when falling short of the stability control
------------------	----------------------------------------------------------------------------------------------------

**Electrical specifications**

Operating voltage	$U_B$	10 ... 30 V DC
Ripple		10 %
No-load supply current	$I_0$	40 mA

**Output**

Switching type	dark on	
Signal output	2 PNP outputs, complementary, short-circuit protected, reverse polarity protected, open collector	
Switching voltage	30 V DC	
Switching current	max. 200 mA	
Switching frequency	$f$	250 Hz
Response time		2 ms

**Standard conformity**

Standards	EN 60947-5-2
-----------	--------------

**Ambient conditions**

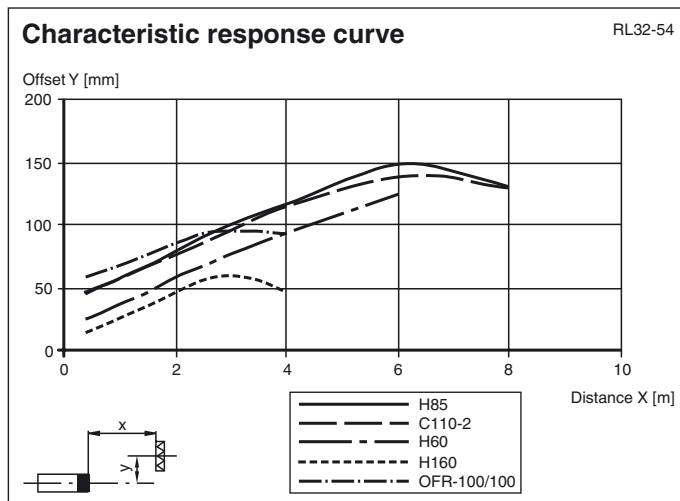
Ambient temperature	-20 ... 60 °C (-4 ... 140 °F)
Storage temperature	-20 ... 60 °C (-4 ... 140 °F)

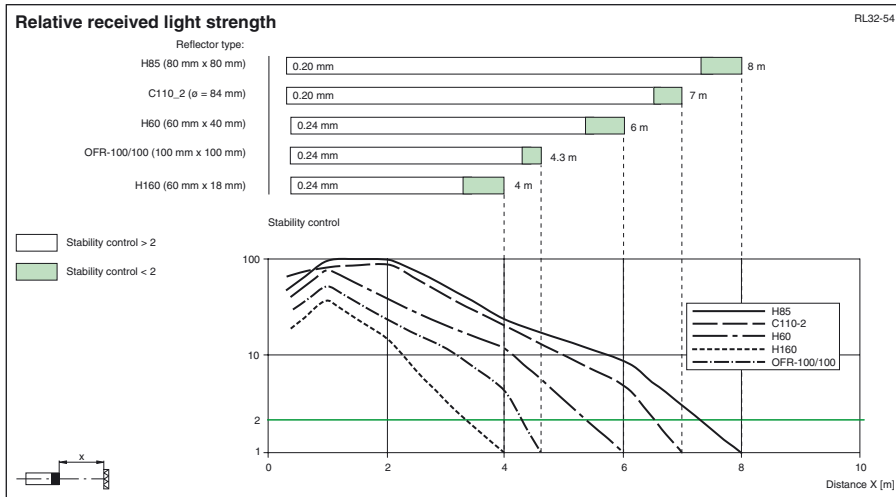
**Mechanical specifications**

Protection degree	IP65
Connection	Plastic connector M12 x 1, 4-pin
Material	
Housing	Terluran GV15
Optical face	glass
Mass	60 g

**Approvals and certificates**

CCC approval	Products with a maximum operating voltage of $\leq 36$ V do not bear a CCC marking because they do not require approval.
--------------	--------------------------------------------------------------------------------------------------------------------------

**Curves/Diagrams**



Release date: 2008-05-20 08:48 Date of issue: 2011-01-26 419004\_ENG.xml